

# CLPG series square LED panel light

**Super Thin Square LED Panel Light Series**

**COOLiGHT**  
Lighting your life

300\*300mm

600\*600mm

622\*622mm

300\*1200mm

Super thin 12mm thick

LED driver inside view

Cable clamp  
FRP isolating sleeve

PF > 0.9 isolated LED driver  
High reliability connector

Front view silver frame

Extra surface mounting accessory kit

www.coolightled.com

**Product highlight:**

1. Edge light design, super slim, 10mm thick,
2. Special design screen printing LGP(light guide plate) for high output,
3. Coolight self-design PF>0.9 high stability isolated constant current LED driver,
4. Optimized LED arrangement for long life time and high output maintenance,
5. Cable clamp and FRP isolating sleeve to avoid damage,
6. Good uniformity and soft light, healthy for your eyes.

**Specification:**

Product Name: CLPG series square LED panel light

Power consumption:25W for 300X300MM, 46w for 600X600MM, 46w for 622X622MM  
46W for 1200X300MM

Heat sink material: aluminium extruded sections

LED driver type: Isolated constant current LED driver

LED driver input voltage: 100-240V AC

LED driver PF: PF>0.9

Standard CRI: CRI>80 for 3000K and 4000K, CRI>80 for 6000K

Beam angle: 110 degree

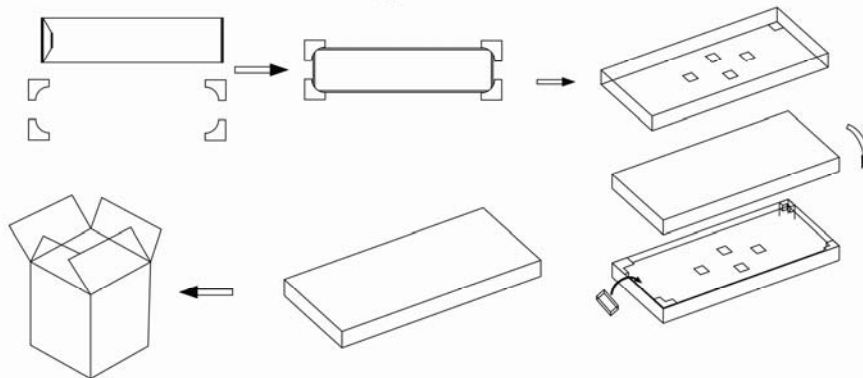
Color temperature: 3000k, 4000k, 6000k optional

Luminous flux: detail lumen information as following table

Product Name	Part No.	Input Voltage	Current (A)	Power (W)	Power Factor	Luminous flux (lm)	CCT (K)	CRI	Beame Angle	Weight(g)				
										N.W	G.W			
300*300 Panel Light	CLPG-0118	100—240VAC	0.12 (@220VAC)	25	0.9	1650	6000	>70	110°	940	1500			
						1600	4000	>80						
						1500	3000	>80						
600*600 Panel Light	CLPG-0139	100—240VAC	0.22 (@220VAC)	46	0.9	3100	6000	>70		110°	3600	5000		
						3000	4000	>80						
						2800	3000	>80						
622*622 Panel Light	CLPG-0139	100—240VAC	0.22 (@220VAC)	46	0.9	3100	6000	>70			110°	3800	5100	
						3000	4000	>80						
						2800	3000	>80						
1200*300 Panel Light	CLPG-0139	100—240VAC	0.22 (@220VAC)	46	0.9	3100	6000	>70				110°	3500	6500
						3000	4000	>80						
						2800	3000	>80						

Package information:

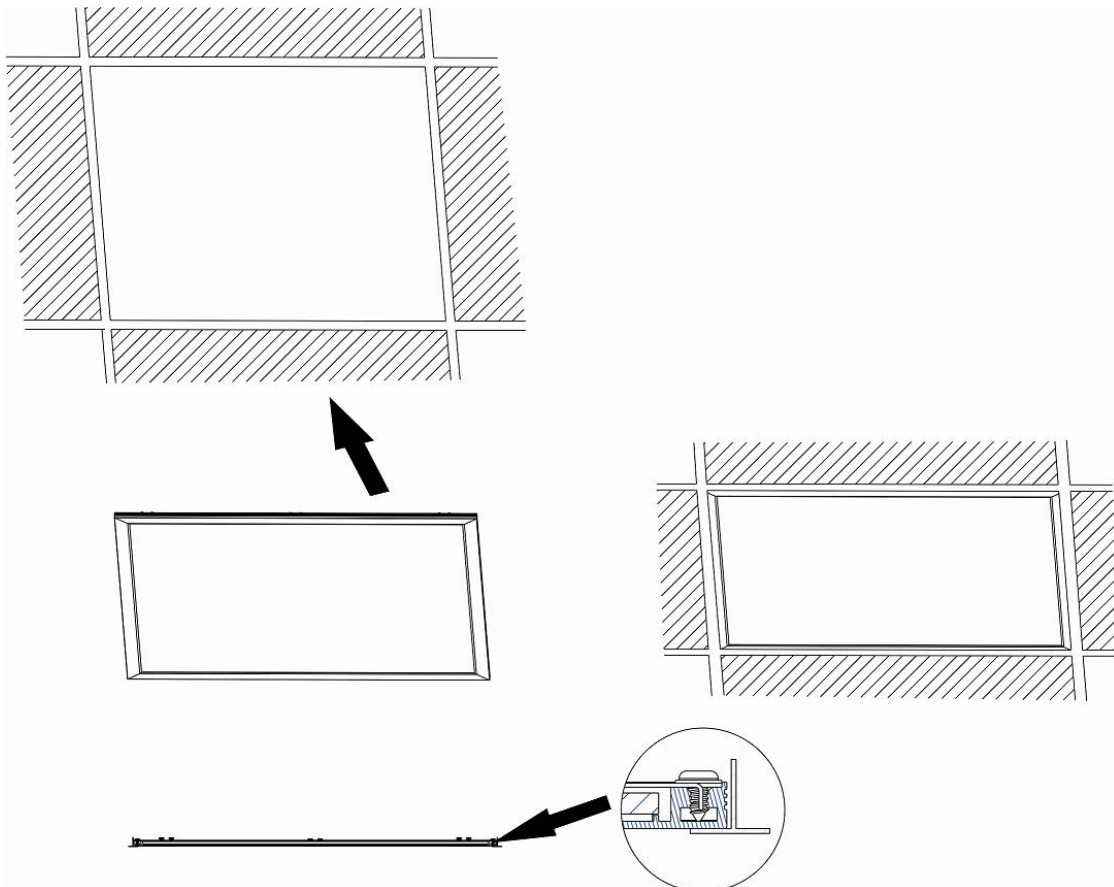
Super thin LED Panel Light



Part No.	Single box (mm)	G.W. per pcs (±5%)	Outer carton (mm)	QTY per Carton (pcs)	G.W per carton (±5%)
CLPG- 0118	420*350*55	1500g	570*440*380	10	18.2kg
CLPG- 0139	690*665*55	5000g	720*700*310	5	26.1kg
CLPG- 0139	740*690*55	5100g	770*720*310	5	27.3kg

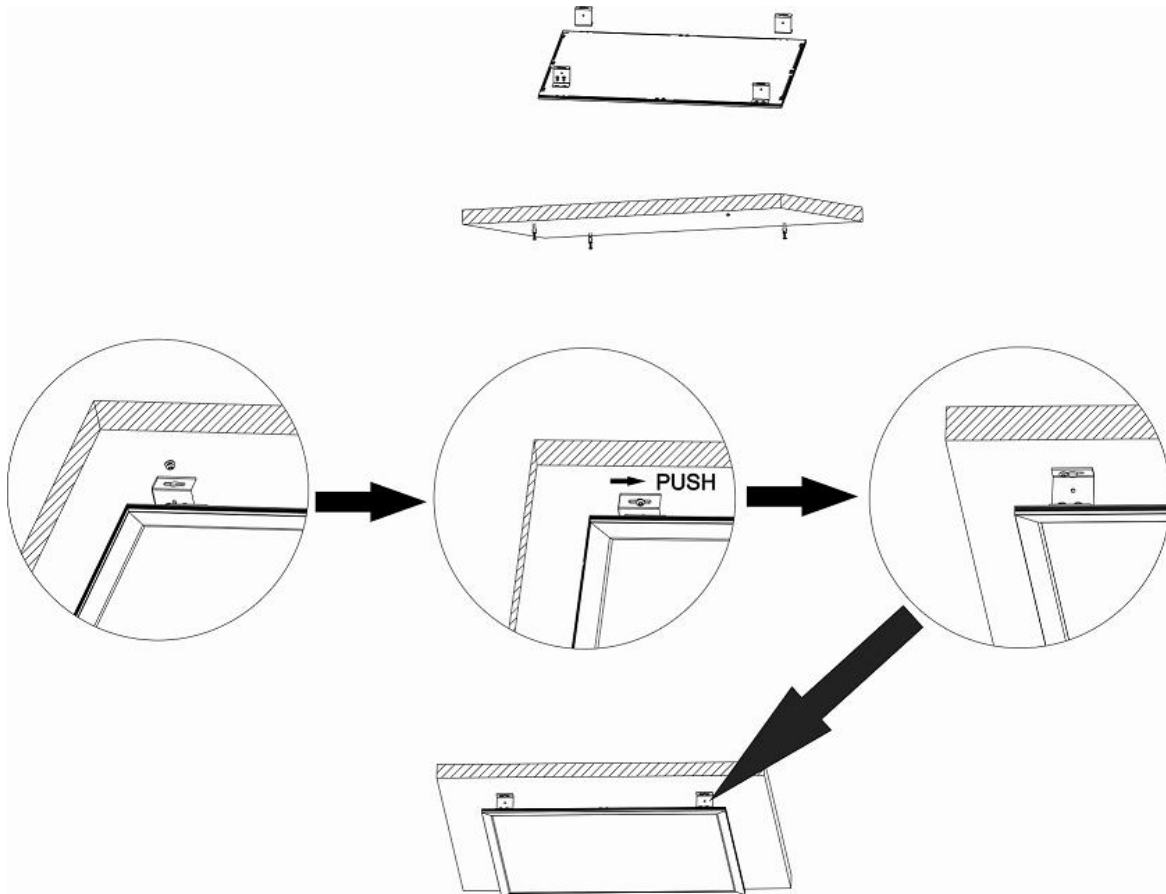
Installation diagram:

1. Recessed installation



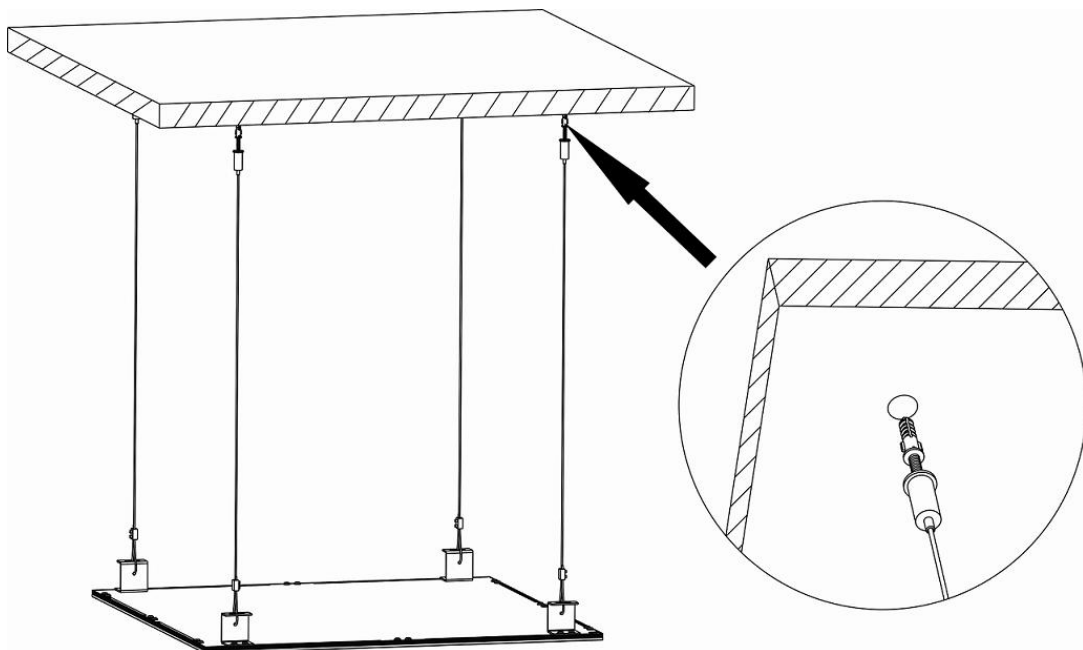
## 2. Surface mounting installation

(Need to buy the extra surface mounting accessory kit CL-xxxx )



## 3. Suspended installation

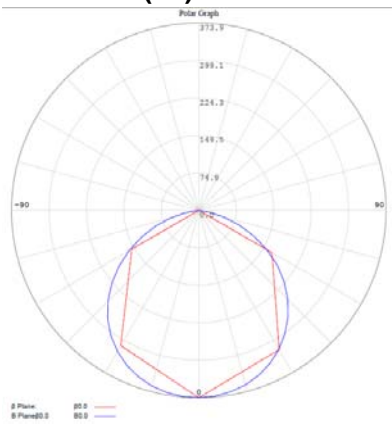
(Need to buy the extra suspended accessory kit CL-xxxx )



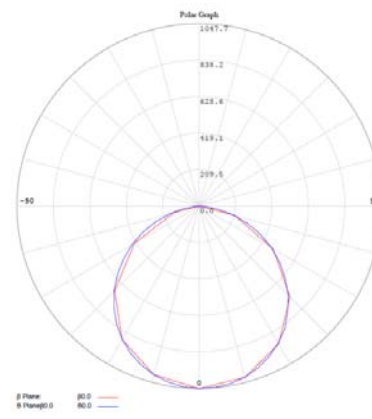
**CAUTION:**

- 1) Indoor use only.
- 2) Working temperature: -20-40 degree.
- 3) Please turn off power prior to installation, replacement and cleaning.
- 4) Do not try to disassemble the lamp.
- 5) Non-dimmable, can't be installed in dimming circuit.

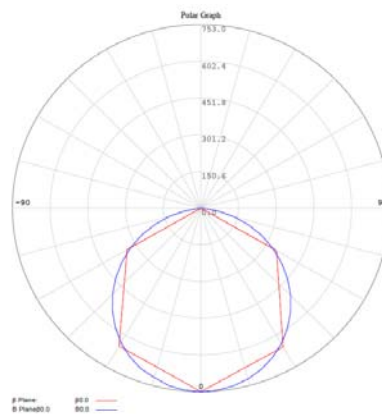
**Light Distribution Curve(cd)**



300\*300

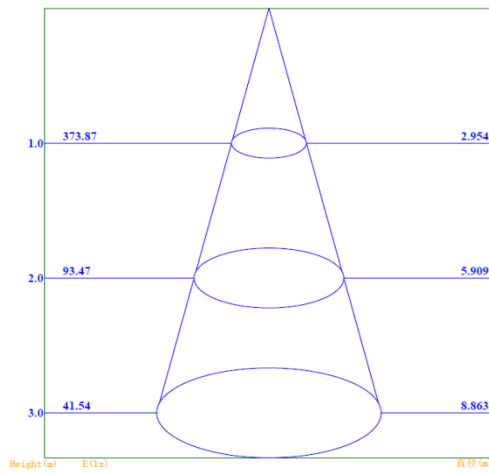


600\*600

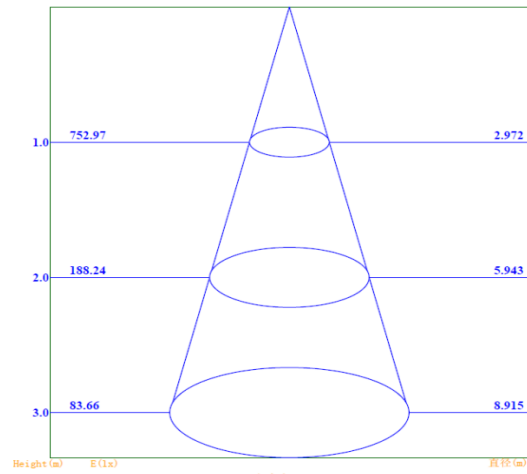


1200\*300

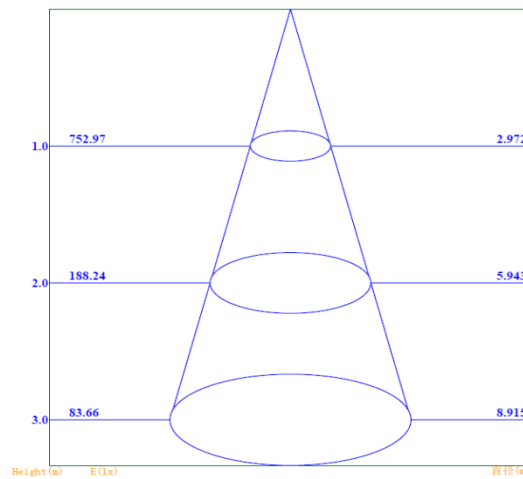
**Lux test diagram**



300\*300



600\*600



1200\*300